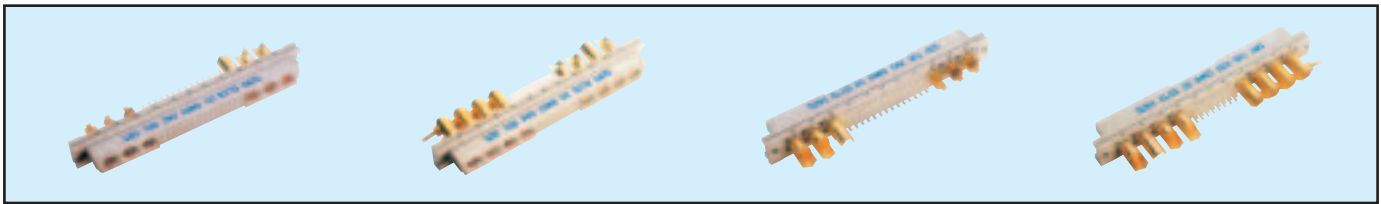
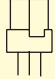
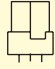
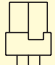


# Female Style M

## Series 8483 – Fully loaded



Contact Design and Termination Length	No. of Cavities For Signal Contacts	No. of Cavities for Special Contacts	Loading Description	Part Number Performance classes according to DIN 41612	
				II	I
4.5 mm (Y) Straight 	6 (3 x 2)	10	a + b + c fully loaded	20 8483 006 001 025	20 8483 006 001 049
	24 (3 x 8)	8	a + b + c fully loaded	20 8483 024 001 025	20 8483 024 001 049
	42 (3 x 14)	6	a + b + c fully loaded	20 8483 042 001 025	20 8483 042 001 049
	60 (3 x 20)	4	a + b + c fully loaded	20 8483 060 001 025	20 8483 060 001 049
	78 (3 x 26)	2	a + b + c fully loaded	20 8483 078 001 025	20 8483 078 001 049
2.9 mm (Y) Straight 	6 (3 x 2)	10	a + b + c fully loaded	20 8483 006 002 025	20 8483 006 002 049
	24 (3 x 8)	8	a + b + c fully loaded	20 8483 024 002 025	20 8483 024 002 049
	42 (3 x 14)	6	a + b + c fully loaded	20 8483 042 002 025	20 8483 042 002 049
	60 (3 x 20)	4	a + b + c fully loaded	20 8483 060 002 025	20 8483 060 002 049
	78 (3 x 26)	2	a + b + c fully loaded	20 8483 078 002 025	20 8483 078 002 049
13.0 mm (Y) Straight 	6 (3 x 2)	10	a + b + c fully loaded	20 8483 006 003 025	20 8483 006 003 049
	24 (3 x 8)	8	a + b + c fully loaded	20 8483 024 003 025	20 8483 024 003 049
	42 (3 x 14)	6	a + b + c fully loaded	20 8483 042 003 025	20 8483 042 003 049
	60 (3 x 20)	4	a + b + c fully loaded	20 8483 060 003 025	20 8483 060 003 049
	78 (3 x 26)	2	a + b + c fully loaded	20 8483 078 003 025	20 8483 078 003 049

NB: Additional Plating & Loading Variations: Please contact your local AVX sales office or distributor.

### LOADING DESCRIPTION



10 contacts,  
rows a + b + c fully loaded



8 contacts,  
rows a + b + c fully loaded



6 contacts,  
rows a + b + c fully loaded

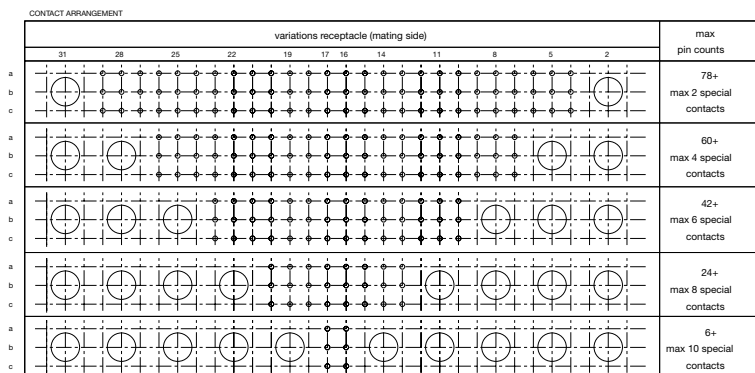
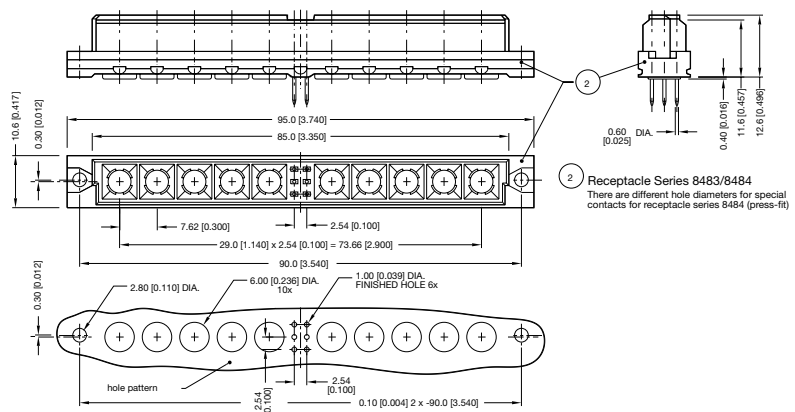


4 contacts,  
rows a + b + c fully loaded



2 contacts,  
rows a + b + c fully loaded

### DIMENSIONS



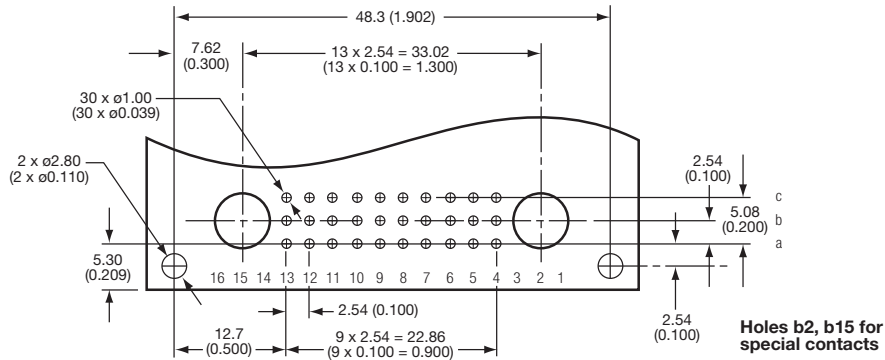
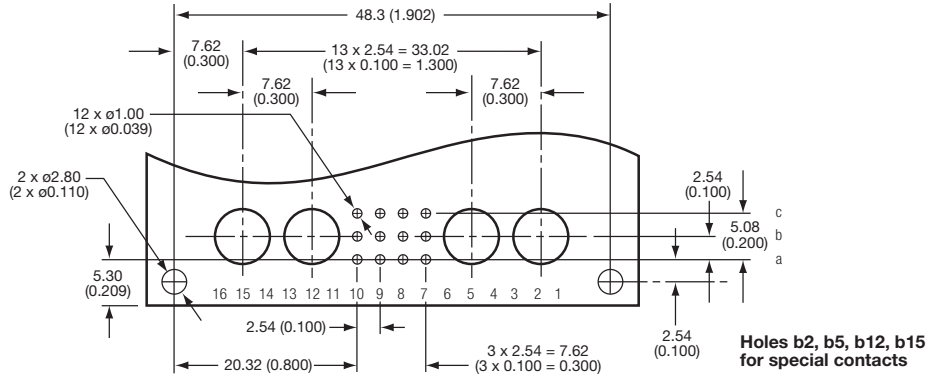
See Page 45 for board layout

# Style M Connectors



## Board Layouts

### STYLE 1/2 M



### STYLE M

